



APPLICATIONS

Wood chippers

HCflex

The HCflex unit offers a multitude of functions for the control of wood chippers with or without CAN bus (SAE J1939), for motor-driven or power take-off machines.

Large, transfective, backlit B/W display

HCflex ensures perfect legibility even under poor lighting conditions.

UV-resistant, rugged PA6 housing for installation in a 52mm standard bore.

Secure installation with retainer bolted from the rear.

Fast installation and retrofit.

Dependable functioning even in harsh environments.

Pre-programming functionality for up to 20 different machine types

Optimisation of access times in production and inventory amelioration.

Four security levels for different authorisations and automatic fault memory

Access to relevant functions restricted to authorised personnel.

Reliable reproduction of faults occurred.

Also with CAN bus

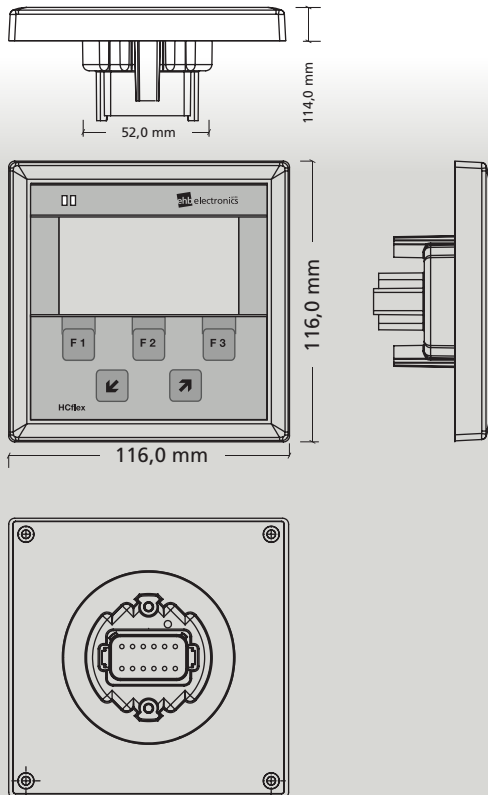
Realisation of demanding control tasks for mechanical and electronic motors.

Function keys for the call-up of three different wood types

Easy operation to ensure optimal machine capacity.

Safety without compromises

In the event of a blocked chipping disk, an open enclosure or the activation of safety devices, the motor will be reliably stopped.



HCflex

TECHNICAL DATA

ehb5401
ehb5401-1 (CANbus)

Electrical data

Voltage range	5 – 32V (typ. 6 – 32V)
Power consumption	50 – 120mA (in UB 8 – 24V)
Operating temperature	-20°C to +70°C
Storage temperature	-30°C to +80°C
Inputs	CAN bus interface (only ehb5401-1)

	Rotor speed
	Hood switch
	Start button
	Stop button
	Reverse
	Drive motor speed (only ehb5401)

Outputs	CAN bus interface (only ehb5401-1)
	Return stroke
	Feed
	Alarm

RAM memory	64 kByte
Flash memory	128 kByte
CAN bus interface	250 kBit/s, CAN 2.0, SAE J1939
Operating hours counter	Integrated
Daily operating hours counter	Integrated

Visualisation

Display type	Dot-matrix LCD Display, transfective
Resolution	128 x 64 pixels
Visible screen diagonal	3" (7.62cm)
Brightness	>30 cd/m ²
Contrast ratio (CR)	5:1
Background lighting	LED, white

Mechanical data

Housing dimensions (W x H x D)	116 x 116 x 14mm
Installation depth	47 mm / approx. 70 mm with cable
Installation cut-out	Ø 52 mm
Housing material	PA 6 30 GB, black, UV-stabilised
Weight	190g
Installation	2 clamping elements, bolted from the rear
Degree of protection	IP67 (with plug inserted)
Connection	Deutsch plug type DT04-12PA

Test standard

Humidity	DIN EN 60068-2-3
Vibration	DIN EN 60068-2-6
Impact	DIN EN 60068-2-27
CE marking	according to Directive 2014/30/EU

Accessories

Connection cable, 12-pole, 3m	ehb2285A
Adapter, HCflex-HC960	ehb5362

