



## MC 704 V3

MC704 V3 offers a multitude of functions for the monitoring of mechanically-controlled diesel and gasoline engines.

### APPLICATIONS

Combustion engine in applications for industry

Communal vehicles

Agricultural machines

Construction machinery

Special-purpose vehicles and machines

#### **Rugged and inexpensive solution for use in harsh conditions**

High machine availability at minimal investments for controller and engine protection. Compact design. High level of reliability.

#### **Protection of the connected engines from damage**

Faults in the engine are reliably detected and displayed. The engine is stopped in a controlled manner before the fault can cause severe engine damage.

#### **Anodised aluminium housing.**

#### **Secure installation with retainer or rubber-metal mounts bolted from the rear**

Fast installation and retrofit.

Dependable functioning even in harsh environments.

#### **Pre-heat and after-glow function, time- or temperature-controlled (optional)**

Reliable starting process, even at very low temperatures.

Reduced smoke generation.

Pre- and afterglow function for diesel engines, choke function for gasoline engines.

#### **Ignition starter switch with integrated starter safeguard lock**

No external ignition starter switch required.

Mechanical protection of the starter against damage.

#### **Operating hours counter**

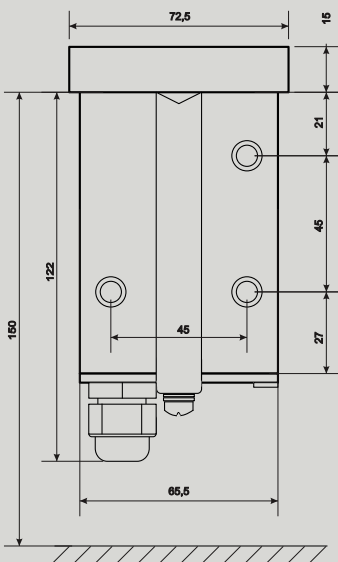
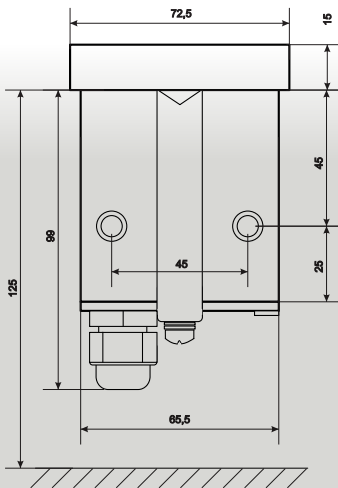
Reliable information about engine running times and required servicing.

#### **Customised adaptations**

Optimal and inexpensive controller, adapted for your specific needs and functions.

## MC704 V3 TECHNICAL DATA

Art. Nr. ehb4393 (MC704-H), ehb4752 (MC704-HG)  
ehb5084 (MC704-HP-PMT3)



### Electrical data

Voltage range / gasoline engine	8 – 16V (typ. 12V)
Voltage range / diesel engine	8 – 36V (typ. 24V)
Interference	14 – 28V (6Vss, 50Hz on UB)
Voltage peaks	200V (2ms on UB)
Power consumption	12 – 200mA (in UB 8 – 24V)
Operating temperature	-40°C to +85°C
Storage temperature	-50°C to +85°C
Inputs (Variants dependent)	Oil pressure switch Temperature switch Generator / D+ Miscellaneous (air filter, V-belt, etc.) External Stop (push-button)
Outputs	Fuel pump/torque winding (ETR or ETS) max. 20A Operating solenoid (ETR or ETS) max. 3A Pre-heat/choke/alarm D+ Excitation 0.5A Starter max. 25A/50A (1s) Ignition Coil max. 10A
Operating hours counter	Integrated

### Visualisation

Display type	6 characters, 5mm, LCD B/W display
--------------	------------------------------------

### Mechanical data

Housing dimensions (W x H)	72.5 x 72.5 mm
Installed dimensions (W x H x D)	72.5 x 72.5 x 125 mm, 72.5 x 72.5 x 150 mm (ehb5084)
Installation cut-out (W x H)	66 x 66 mm
Housing material	Aluminium, black anodised
Weight	490g
Installation	Rubber-metal mounts or retainer
Degree of protection	IP54
Connection	In the device, cable feed via cable gland

### Test standard

Humidity	DIN EN 60068-2-3
Vibration	DIN EN 60068-2-6
Impact	DIN EN 60068-2-27
CE marking	according to Directive 2014/30/EU

